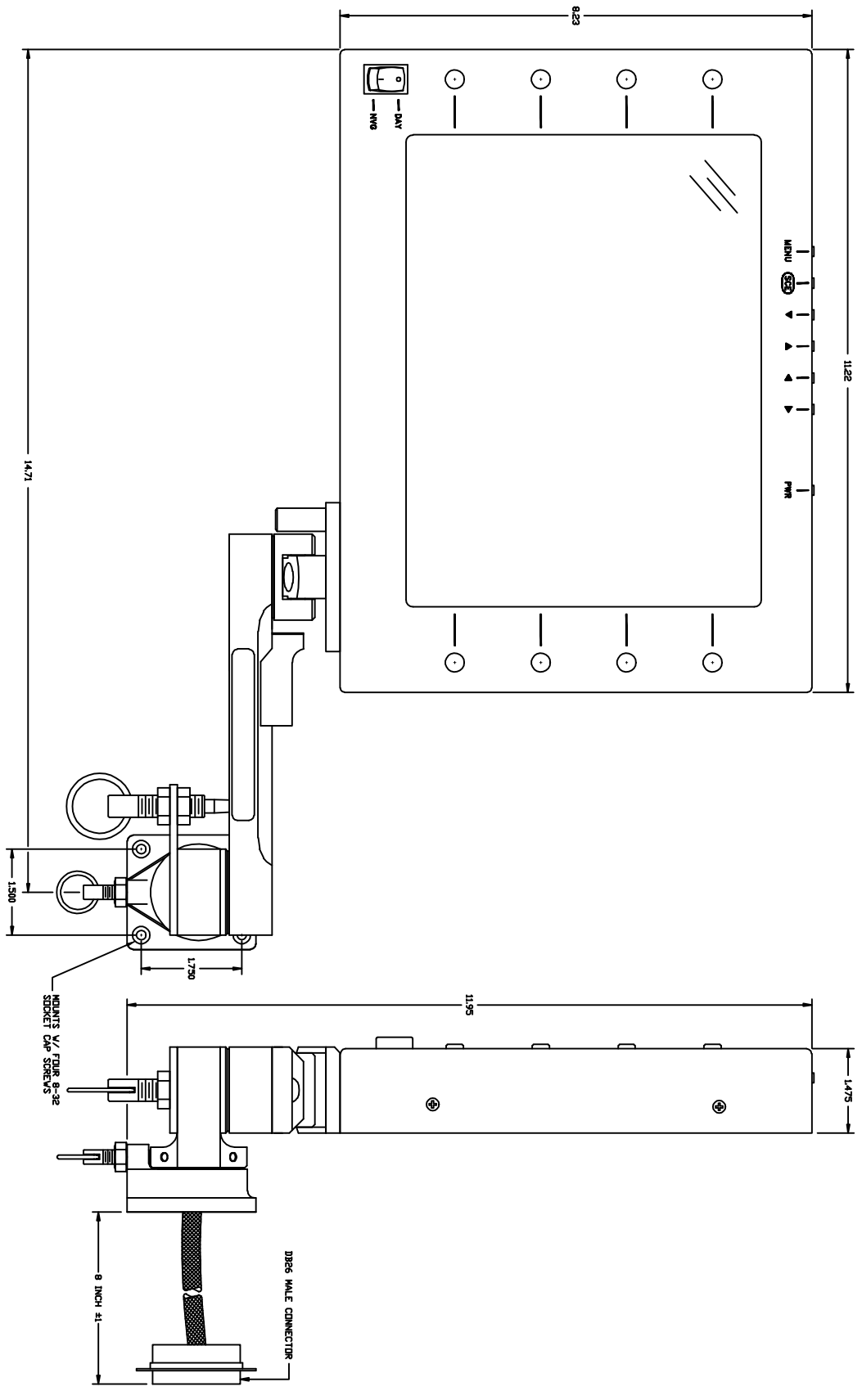


**FLIGHT DISPLAY SYSTEMS**

1765 Greenland Parkway Applawville, GA 30004		678-887-8717 678-887-8748 fax	
DATE:	01-04-07	TITLE:	MOUNTING SPECIFICATIONS & INTERFACE
DRAWN BY:	K. POLKHO	ENGINEERED BY:	A. BAWIS
APPROVED BY:	D. GRAY	DESIGNED BY:	D. GRAY
SERIAL NO.:		MSD-029	
SCALE:	1/1	REV. NO.:	
		SHEET:	2 OF 2



NOTE: FD104CV-C-R-1 AS SHOWN

<b>FLIGHT DISPLAY SYSTEMS</b>	
1765 Greenland Parkway Alpharetta, GA 30004	
DATE: 01-04-07	TITLE: 678-887-8717
DRAWN BY: K. POLKOWSKI	778-887-8748 fax
CHECKED BY: A. DAVIS	FD104CV-C-L-1 OR FD104CV-C-R-1
APPROVED BY: D. GRAY	MSD-029
SERIAL NO.	SCALE: 1/1
	REV. NO. B
	SHEET 1 OF 2