

FD260CV-UHD

EDGE SERIES™ 4K Displays



Ultra-thin, Lightweight, 4K Displays with Customizable Bezel

Flight Display Systems reveals two new EDGE SERIES™ 4K displays that provide brilliant image quality, while taking up less space on an aircraft. The EDGE SERIES displays can be mounted with a customized bezel to coordinate with any cabin interior.

The displays are designed to enhance image quality with increased color accuracy, contrast, and clarity.

- Two inches thin
- Quad screen capable
- Flexible mounting in 27" and 32" sizes
- Optional custom front bezel



Certifications:

PMA NO. PQ1716CE

DO-160G Section 21, Cat B
-Emissions of Radio Frequency

Key Facts:

- ▶ A 3840 x 2160 4K resolution precisely reproduces over one billion colors

Specifications

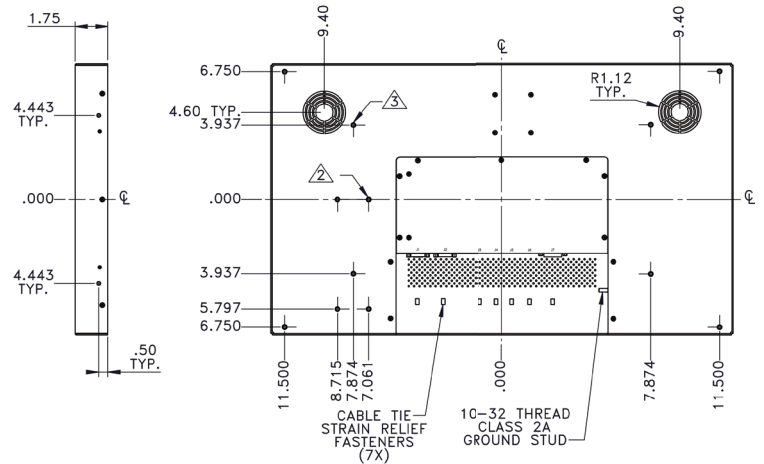
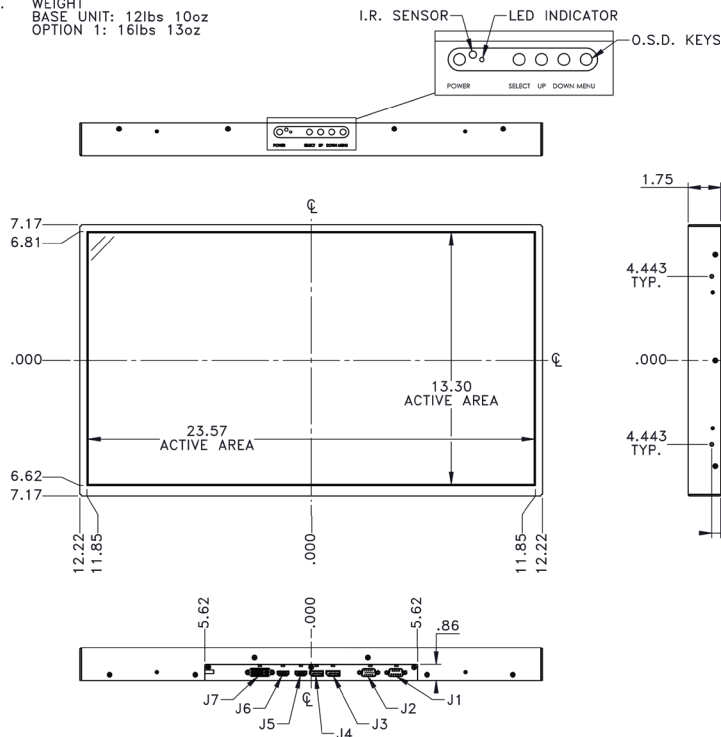
| DO-160 TESTED FAA/PMA Approved | |
|--------------------------------|---|
| Dimensions | Base Unit: 19.68"(W) x 12.38"(H) x 1.02"(D) Option A: 20.52"(W) x 12.82"(H) x 1.11"(D) Option B: 20.52"(W) x 12.82"(H) x 1.46"(D) |
| Active Display Area | 18.80"(W) x 10.58"(H) |
| Weight | Base Unit: 7 lbs. 8 oz. Option A: 8 lbs. 8 oz. Option B: 10 lbs. 8 oz. |
| Panel Technology | 8-lane eDP (embedded Display Port) |
| Color | 1.07 Billion |
| Native Resolution | 3840 x 2160 |
| Refresh Rate | |
| Pixel Pitch | 155.25(mm) x 155.25(mm) |
| Brightness | 300 nits typical, 240 nits minimum |
| Viewing Angle | 89/89/89/89 typical, 75/75/75/75 minimum |
| Materials | Aluminum and Steel |

Interface

| | |
|-----------------------|---|
| Power | 28V DC |
| Contrast Ratio | 1000:1 typical, 600:1 minimum |
| Aspect Ratio | 16:9 |
| Inrush Current | 20 Amp Peak 5.4 Amps @ 600µS 2.25 Amps Steady State @ 1.5mS |
| Operating Temperature | 0 to + 60° C, up to 80% THB at 50% C (non-condensing) |
| Menu Control | Buttons - Top, External Remote Eye |
| Inputs | (2) Display Port (1.2) (2) HDMI (1.4a) (1) DVI |
| Communication | CAN, IR Remote |

NOTES:

- ALL MOUNTING FASTENERS ARE 10-32 THREAD X 7/16" MAX THREAD DEPTH
- (4) MTNG LOCATIONS DESIGNATED FOR FDHDMI-DP (HDMI TO DISPLAY PORT CONVERTER) NOT TO BE USED FOR STRUCTURAL MOUNTING
- (4) CENTRALIZED MOUNTING LOCATIONS ARE 200mmX400mm. STANDARD VESA PATTERN
- WEIGHT
BASE UNIT: 12lbs 10oz
OPTION 1: 16lbs 13oz



6435 Shiloh Road
 Alpharetta, Georgia 30005
 470.239.7400 phone
 678.607.6432 fax
 www.FlightDisplay.com