

Installation and Operation Manual

FDAIP-P/-B

Auxiliary Input Panel





Specifications

Dimensions	2.800" (H) x 1.100" (W) x 1.236" (D) <i>(Depth of FDAIP-P is 1.136")</i>
Materials	304 Stainless Steel (FDAIP-P) 304 Stainless Steel & 6061-T6 Aluminum (FDAIP-B)
Weight	~2.8 oz.
Connections	3 x RCA 1 x Stereo 3.5mm





Table of Contents

General Information	4
Front View	4
Additional Information	4
Installation Instructions	5-7
Mounting	8-9
Wiring Diagram	9
Technical Drawing	10
Technical Support	11
Instructions for Continued Airworthiness	11
Warranty	12
Log of Revisions	13



General Information

The FDAIP-P/-B is an Auxiliary Input Panel designed to serve as an easily accessible method of providing input video and audio from systems such as MP3 Players, PlayStation/X-Box systems, camcorders, etc. to an existing entertainment system.

Front View



Additional Information

The FDAIP-P/-B comes in two models, both of which are unfinished, and can be anodized, painted, or plated: The FDAIP-P comes with a standard plate, and the FDAIP-B (shown above) comes with a two-piece bevel to match the customer's interior. The installation facility can have the units finished prior to assembly installation.

Installation Instructions

Verify materials included in box:



(1)



(2)



(3)



(4)



(5)



(Misc.)

(Not shown: Pre-assembled wiring harness)

Note: The FDAIP-P comes with Part (1) and the FDAIP-B comes with Parts (2 & 3). Parts (4-6) are included with both.

1. Take Part (4) and insert 2 **4-40x1/2" socket cap screws** into the bottom holes.



2. **(FDAIP-B Only)** Combine Parts (2) and (3) as shown. In future steps, this assembly will be referred to as Part (1).



3. Remove the ground connection washers and nuts from each **RCA Jack** (from *Misc.*) and place into the holes of Part (1) in this order:



Red, White, Yellow, Blank (Larger)

4. Place Part (4) on the back of the Red and Yellow RCA Jacks on part (1) as shown:

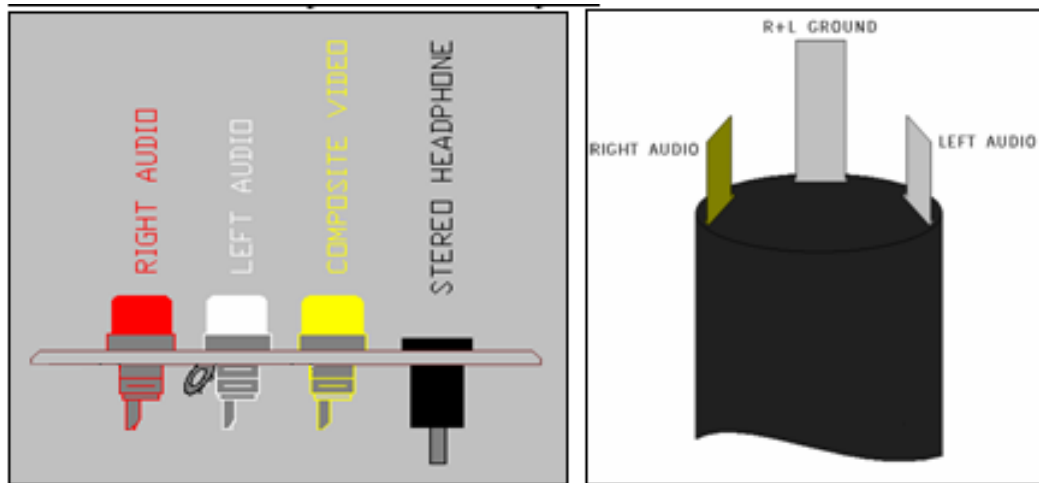


5. Replace the ground connection washer on the back of the White RCA Jack and secure all with the removed nuts:

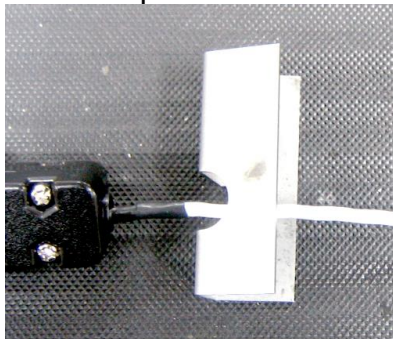


6. Insert the **Stereo Jack** (from *Misc.*) into the remaining hole, and secure with a nut:





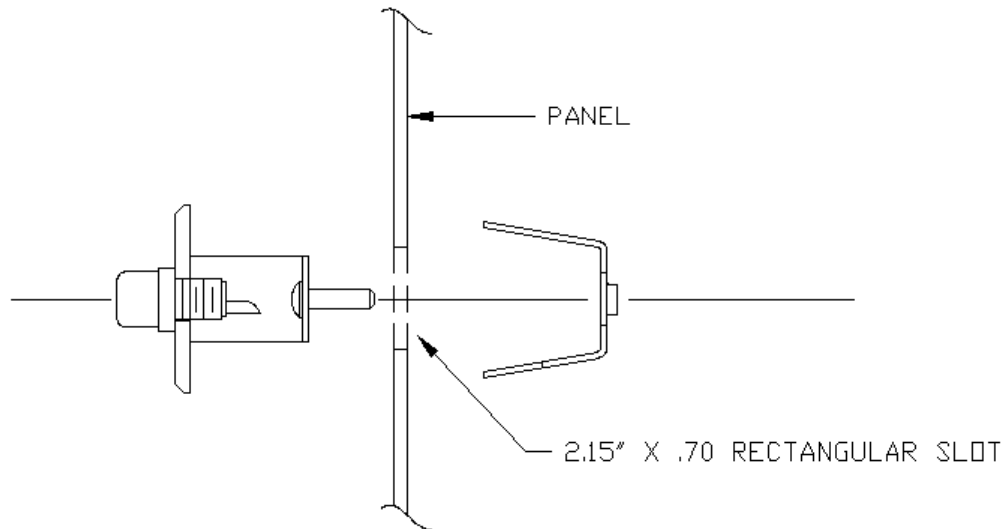
1. Insert the pre-assembled wiring harness through the circular hole in Part (5) as shown:



2. Solder both of the black wires from the pre-assembled wiring harness to the ground connection washers on the White RCA Jack, and the R+L Ground connection on the stereo jack.
3. Solder the orange/white wire from the pre-assembled wiring harness to the signal connection of the red (Right Audio) RCA Jack.
4. Solder the white wire from the pre-assembled wiring harness to the signal connection of the white (Left Audio) RCA Jack.
5. Solder the blue/white wire from the pre-assembled wiring harness to the signal connection of the yellow (Composite Video) RCA Jack.
6. Cut one each of orange and white 22g wire to 1 $\frac{3}{4}$ " length.
7. Strip and solder the orange wire from the signal connection of the red (Right Audio) RCA Jack to the Right Audio connection of the stereo jack.
8. Strip and solder the white wire from the signal connection of the white (Left Audio) RCA Jack to the Left Audio connection of the stereo jack.

Mounting

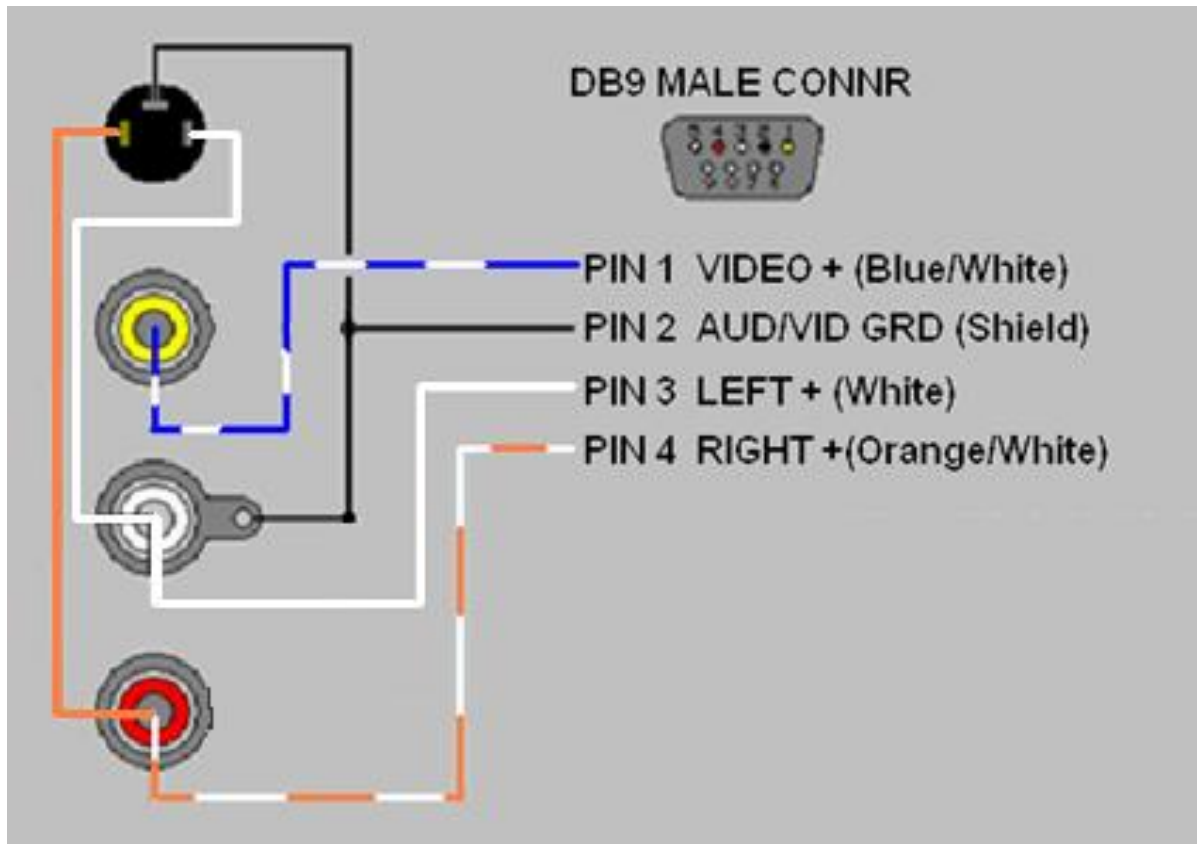
9. Cut a rectangular slot (2.15" x 0.70") into the selected panel. Insert the assembled pieces in the front of the panel.
10. Secure Part (5) to the back of the assembly, on the back side of the panel:



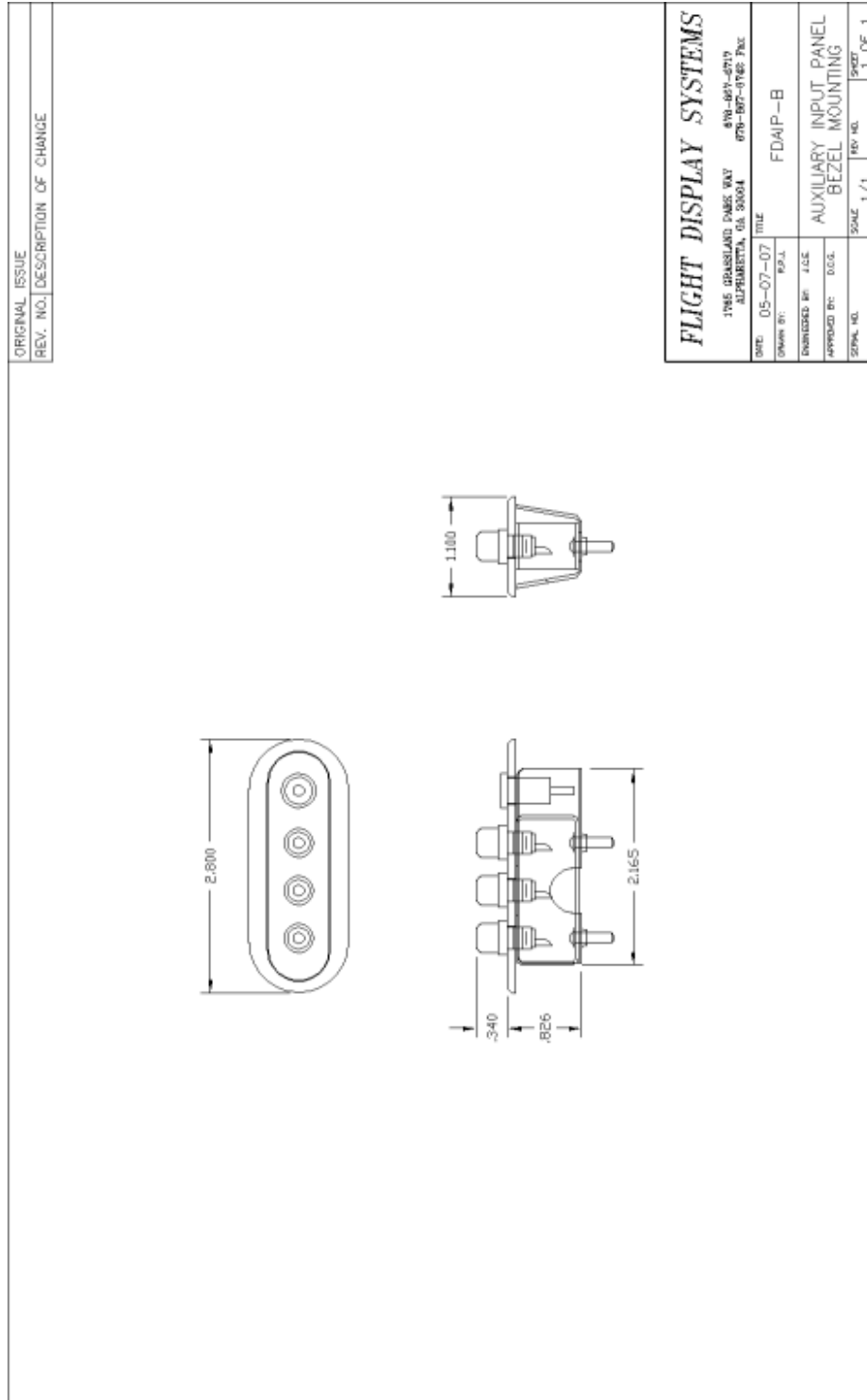
11. Use a 3/32" Ball Driver through the Red and Yellow RCA Jacks to tighten the 4-40x1/2" socket cap screws as shown (Panel not shown for clarity):



Wiring Diagram



Technical Drawing





Technical Support

Should you have any questions concerning this product or other FDS Avionics Corp. products, please contact our Service and Support representatives at 470-239-7421.

FDS Avionics Corp.
6435 Shiloh Road
Alpharetta, GA 30005
Phone: 470-239-7400
Fax: 470-239-7439
Email: sales@FDSAvionics.com

For further product information, technical data and sample wiring diagrams, please click on the **Dealers** section of our web site at www.FDSAvionics.com

Instructions for Continued Airworthiness

The FDAIP-P/-B is designed not to require regular general maintenance.





Limited Warranty

All FDS Avionics Corp. products are warranted to be free from material or manufacturing defects for a period of 24 months from the date of shipment for General Aviation customers or 12 months from the date of shipment for Government/Special Mission customers. Any material or repair workmanship for in warranty repair service will be specifically warranted for 90 days or the remainder of the original warranty period, whichever is longer. If the original warranty period has expired, the 90-day repair warranty is limited to the material and workmanship specific to the repair activity completed.

The following conditions are exclusions to warranty coverage:

1. Labor costs associated with installation, removal or reinstallation of any product.
2. Damage to or malfunction caused by any unauthorized alteration made to the product.
3. Resolving signal quality issues caused by externally generated noise introduced by aircraft electrical systems or other components connected to any FDS product.
4. Any malfunction caused by improper installation or connection to aircraft wiring, industry standard cabin management/inflight entertainment systems, or third party commercial equipment not specifically identified as compatible with FDS products.
5. Any malfunction caused by installation that does not conform to precautions associated with operating environments listed in the operating manual or consistent with industry best practices such as high temperature, adequate ventilation, high humidity, high dust, or power surges.
6. Cosmetic damage or damage to internal components caused by installation or removal, failure to follow installation or operating instructions, or any neglect or misuse of the product.
7. Any product that is returned for service with a broken tamper evident seal, indicating tampering or improper handling of the product by an unauthorized person. Violation of product tamper evident seals or modification of factory installed serial and PMA labels voids any warranty, either expressed or implied.

The FDS Technical Support team is available to provide distance troubleshooting support during business hours (8:00am to 5:00pm EST) Monday through Friday at (470) 239-7421.

Many repair requests can be resolved through distance support and may not require return of merchandise to the factory. If a product must be returned to the factory for repair, an RMA number will be issued as directed by the Technical Support team and communicated by the Repair Coordinator.

Upon request by the customer, FDS may send a Service Technician onsite to repair any non-PMA products. The travel expenses incurred to include transportation, lodging and meals along with the technician's hourly rate shall be payable by the customer in accordance with FDS' applicable rates and procedures.

FDS Avionics Corp. will, upon receipt of returned merchandise, remanufacture or replace the unit at our discretion and return the product by Ground Return Shipping. Express return shipment will be the responsibility of the sender.

This warranty is not transferable.

Any implied warranties expire at the express limited warranty expiration date. FDS shall not be held liable for any indirect, special, punitive, incidental or consequential damages.

Some states do not allow limitation on the length of an implied warranty. In such states, the exclusions or limitations of this limited warranty may not apply.





Log of Revisions

Rev	Date	Page	Description
A	06/08/2007	---	---
B	08/31/2012		Updated format, warranty and non-PMA info
C	07/12/2017	All	New Format, New Company Name, Warranty

