

Installation and Operation Manual

FDHDMI-SDI

HDMI to HDSDI Converter



Dimensions	4.0”(W) x 1.2”(H) x 5.415”(D)
Weight	1Lb.
Power	28V DC @ 110mA
Operating Temperature	-20 C to 60 C
PC &Video Input	HDMI, 720p, 1080p, 1080i
Video Output	HD-SDI
Current	12.8A Peak 2A @ 800 μ S 110mA steady state @ 2mS



Table of Contents

General Information.....	3
Functionality.....	3
Technical Drawing	4
Pinout.....	5
Technical Support.....	6
Instructions for Continued Airworthiness	6
Limited Warranty.....	7
Log of Revisions	8



General Information

Functionality

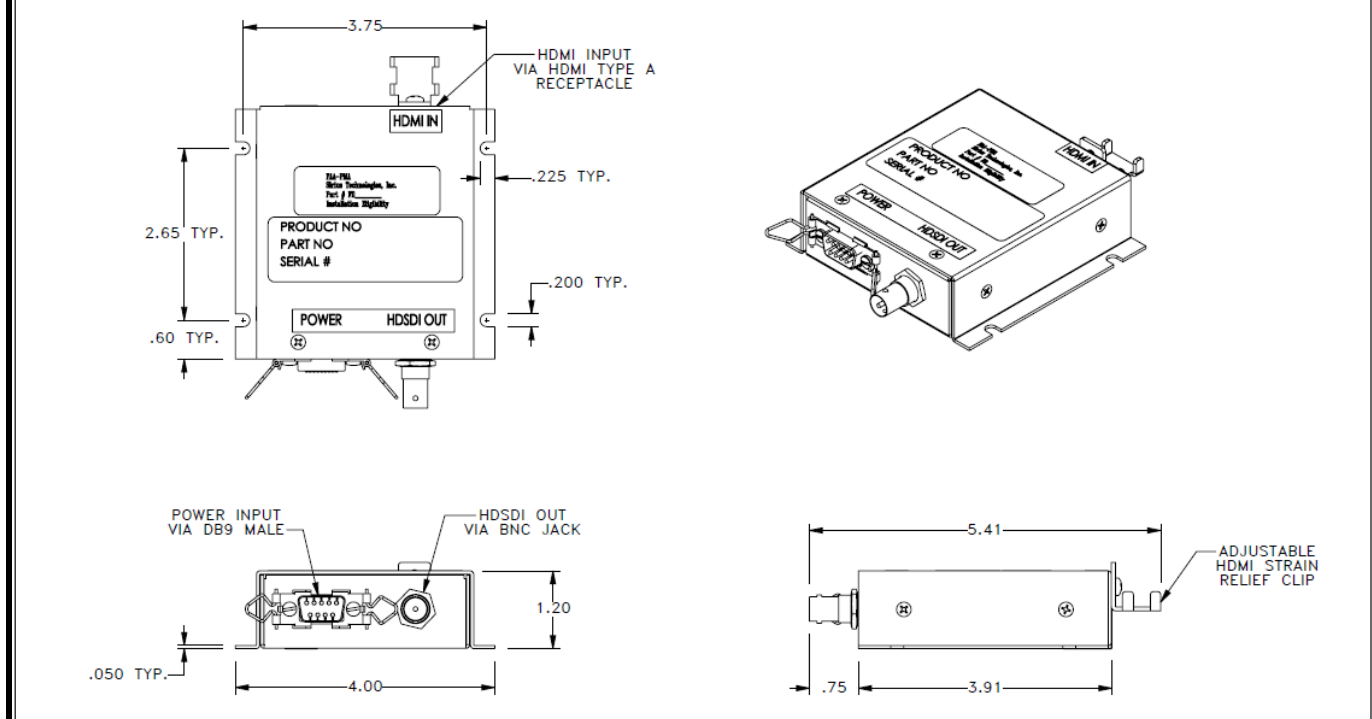
The FDHDMI-SDI receives an HDMI input and converts it to an HDSDI signal. The converted HDSDI signal can be interfaced to FDS Avionics Corp. HDSDI cabin management switching units or monitors.



Technical Drawing

NOTES:

REV	DESCRIPTION	DATE	BY	APD
O.I.	ORIGINAL ISSUE	2-11-15	RDK	DMC



REV: 2-11-15
DESCRIPTION: ORIGINAL ISSUE
DATE: 2-11-15
BY: RDK
APD: DMC

Labels in drawing:
HDMI INPUT VIA HDMI TYPE A RECEPTACLE
HDMI IN
2.65 TYP.
3.75
.60 TYP.
2.25 TYP.
PRODUCT NO
PART NO
SERIAL #
POWER HSDI OUT
POWER INPUT VIA DB9 MALE
HSDI OUT VIA BNC JACK
1.20
4.00
5.41
3.91
ADJUSTABLE HDMI STRAIN RELIEF CLIP
HDMI IN

DWN	R.D.K.	DATE	2-11-15	FLIGHT DISPLAY SYSTEMS 6435 SHILOH ROAD • ALPHARETTA, GA 30005 678.867.8717 • WWW.FLIGHTDISPLAY.COM
AFD	D.M.C.	DATE	2-11-15	
TOLERANCES: 3 PLACE DECIMAL ± .010 2 PLACE DECIMAL ± .020 1 PLACE DECIMAL ± .030				MOUNTING SPECIFICATIONS FDHDMI-SDI
FRACTIONAL ± ANGLES ± 30°				
FINISH		NICKEL		MATERIAL: ALUMINUM DRAWING NO. MSD-314
SCALE		1/2		SHEET 1 OF 1 REVISION OI

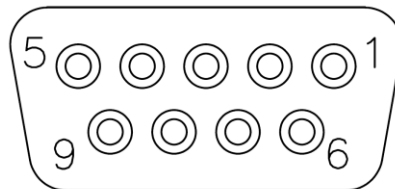
CONFIDENTIAL
 RELEASED TO AND ACCEPTED BY POSSESSION ON THE CONDITION THAT NO RIGHTS OF REPRODUCTION OR USE ARE GIVEN EXCEPT FOR THE PURPOSE ELSEWHERE SPECIFIED IN WRITING BY FLIGHT DISPLAY SYSTEMS. COPYRIGHT © FLIGHT DISPLAY SYSTEMS, INC. 2012

Pinout

Pinout DB9 Power (Supplied)

Connector
 Crimp Contacts

P/N: M24308/2-281 or Equivalent
 P/N: M39029/63-368 or Equivalent



MATING FACE

Pin Number	Description
1	28VDC Power
2	28VDC Ground
3	N/C
4	N/C
5	N/C
6	N/C
7	N/C
8	N/C
9	N/C

HD-SDI

HD-SDI Output is a panel mounted 75 Ohm BNC receptacle that mates with a standard 75 Ohm BNC plug (Amphenol P/N 112133 supplied).

HDMI

HDMI Input is a flush mounted HDMI Type A Female Receptacle that mates with a HDMI Type A Male Connector. (Not supplied)



Technical Support

Should you have any questions concerning this product or other FDS products, please contact our Product Support representatives at 470-239-7421.

FDS Avionics Corp.

6435 Shiloh Road

Alpharetta, GA 30005

Phone: 470-239-7400

Fax: 470-239-7439

Email: support@FDSAvionics.com

For further product information, technical data and sample wiring diagrams, please click on the **Support** section of our web site at www.FDSAvionics.com.

Instructions for Continued Airworthiness

The FDHDMI-SDI converter is designed not to require regular general maintenance.





Limited Warranty

All FDS Avionics Corp. (FDS) products are warranted to be free from material or manufacturing defects for a period of 24 months from the date of shipment for General Aviation customers or 12 months from the date of shipment for Government/Special Mission customers. Any material or repair workmanship for in warranty repair service will be specifically warranted for 90 days or the remainder of the original warranty period, whichever is longer. If the original warranty period has expired, the 90 day repair warranty is limited to the material and workmanship specific to the repair activity completed.

The following conditions are exclusions to warranty coverage:

1. Labor costs associated with installation, removal or reinstallation of any product.
2. Damage to or malfunction caused by any unauthorized alteration made to the product.
3. Resolving signal quality issues caused by externally generated noise introduced by aircraft electrical systems or other components connected to any FDS product.
4. Any malfunction caused by improper installation or connection to aircraft wiring, industry standard cabin management/ inflight entertainment systems, or third party commercial equipment not specifically identified as compatible with FDS products.
5. Any malfunction caused by installation that does not conform to precautions associated with operating environments listed in the operating manual or consistent with industry best practices such as; high temperature, adequate ventilation, high humidity, high dust, or power surges.
6. Cosmetic damage or damage to internal components caused by installation or removal, failure to follow installation or operating instructions, or any neglect or misuse of the product.
7. Any product that is returned for service with a broken tamper evident seal, indicating tampering or improper handling of the product by an unauthorized person. Violation of product tamper evident seals or modification of factory installed serial and PMA labels voids any warranty, either expressed or implied.

The FDS technical support team is available to provide distance troubleshooting support during business hours (8:00am to 5:00pm EST) Monday through Friday at (470) 239-7421.

Many repair requests can be resolved through distance support and may not require return of merchandise to the factory. If a product must be returned to the factory for repair, an RMA number will be issued as directed by the technical support team and communicated by the repair coordinator.

Upon request by the customer, FDS may send a service technician onsite to repair any non-PMA products. The travel expenses incurred to include transportation, lodging and meals along with the technician's hourly rate shall be payable by the customer in accordance with FDS' applicable rates and procedures.

FDS Avionics Corp. will, upon receipt of returned merchandise, remanufacture or replace the unit at our discretion and return the product by Ground Return Shipping. Express return shipment will be the responsibility of the sender.

This warranty is not transferable.

Any implied warranties expire at the express limited warranty expiration date. FDS shall not be held liable for any indirect, special, punitive, incidental or consequential damages.

Some states do not allow limitation on the length of an implied warranty. In such states, the exclusions or limitations of this limited warranty may not apply.





Log of Revisions

Rev	Date	Page	Description
A	07/16/2012		Initial Release
B	01/09/2015	All	Cosmetic Changes, New Drawing, PMA Status
C	02/27/2015	All	Changed format, pics, drawings
D	7/28/2017	All	New Company, New Format

