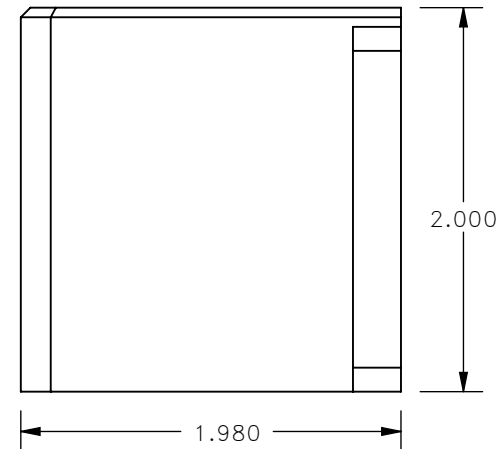
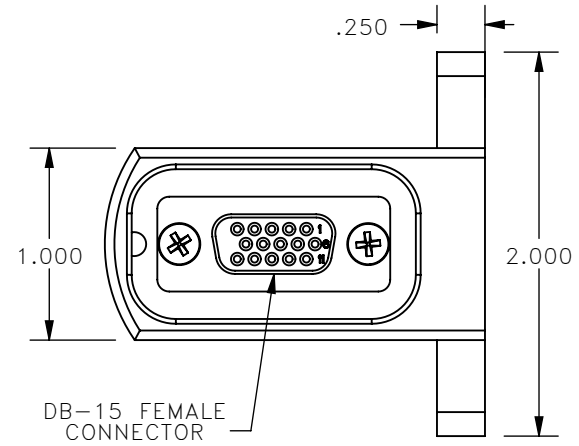
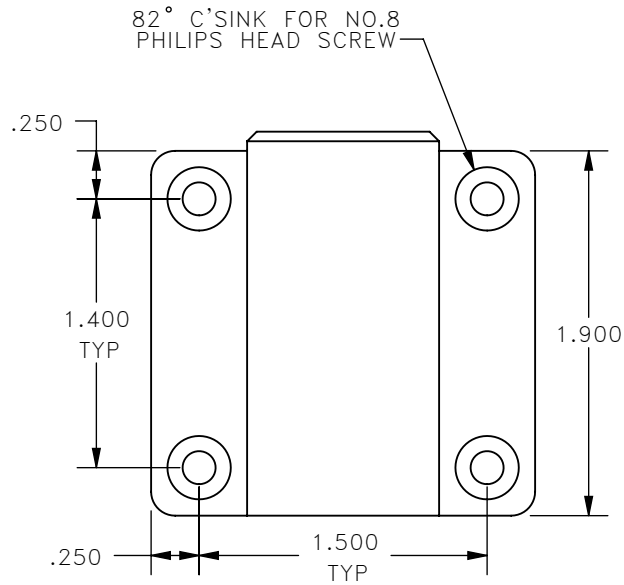


NOTES:

REV	DESCRIPTION	DATE	BY	APD
O.I	ORIGINAL ISSUE	3-8-12	ELH	DMC
A	REPLACED DB-9 W/ DB-15 CONNECTOR	3-12-12	ELH	DMC



CONFIDENTIAL:
 RELEASED TO AND ACCEPTED BY POSSESSOR ON THE CONDITION
 THAT NO RIGHTS OF REPRODUCTION OR USE ARE GIVEN EXCEPT FOR
 THE PURPOSE ELSEWHERE SPECIFIED IN WRITING BY FLIGHT DISPLAY
 SYSTEMS. COPYRIGHT © FLIGHT DISPLAY SYSTEMS, INC. 2012

DWN ELH	DATE 3-8-12	FLIGHT DISPLAY SYSTEMS	
APD DMC	DATE 3-8-12		
TOLERANCES:		FDBASE-W MOUNTING SPECS	
3 PLACE DECIMAL ± .007 2 PLACE DECIMAL ± .015 1 PLACE DECIMAL ± .020			
FRACTIONAL ± ANGLES ± 30°		MATERIAL: 6061-T6511 ALUMINUM	DRAWING NO. MSD-200
FINISH BLACK POWDER PAINT		SCALE: 1:1	SHEET 1 OF 1 REVISION A