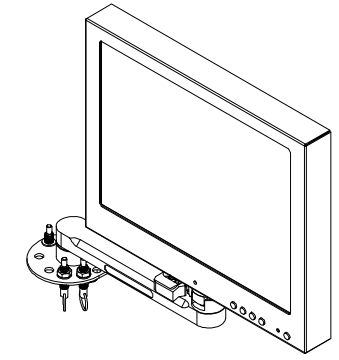
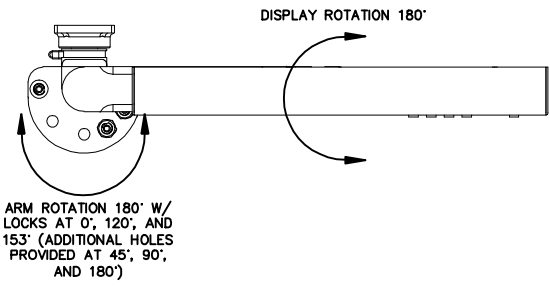


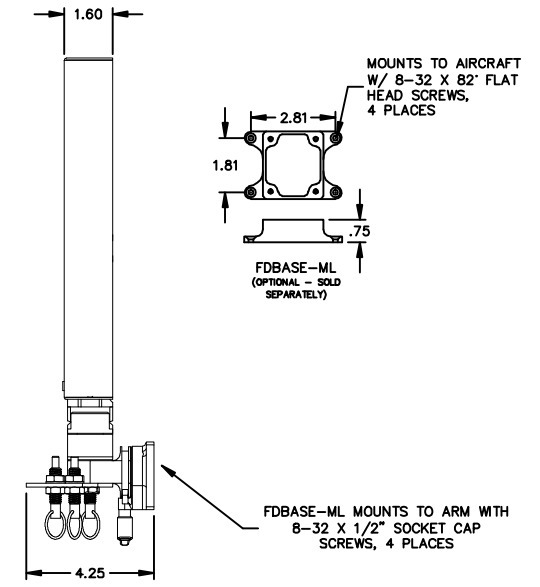
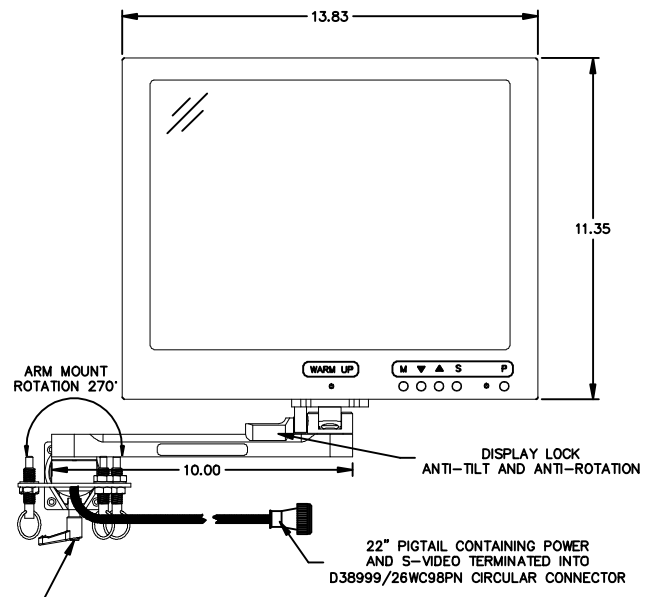
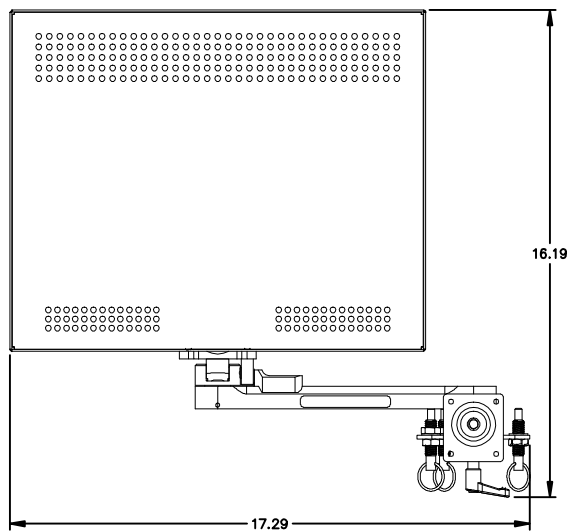
REV	DESCRIPTION	DATE	BY	APPD
01	ORIGINAL ISSUE	12-14-10	E.L.H.	R.P.J.

NOTES:

1. FINISH COAT:
 1. NONE
 2. BLACK POWDER PAINT
 SMOOTH, LOW GLOSS



20° TILT
 FWD AND AFT



ARM ROTATION LOCK
 W/ INFINITE LOCKING
 POSITIONS

REV	EL.H.	12-14-10	FLIGHT DISPLAY SYSTEMS
APV	R.P.J.	12-14-10	
TOLERANCES			FD151CV-C-HT
3 PLACE DECIMAL +/- .010			15" HEATED MONITOR ON MILITARY ARM
2 PLACE DECIMAL +/- .020			
1 PLACE DECIMAL +/- .030			
FRACTIONS +/- ANGLES +/- 30'			
FINISH			ALUMINUM
BLACK POWDER PAINT			MSD-135
SOLE NONE			REVISION 01.
SHEET 1 OF 1			